

Double XL - 12" Quad Flex - Hyper ZT Cam

CAM	LETOFF	BRACE HEIGHT	AXLE TO AXLE	DRAW LENGTH	MODULE POSITION	BASE CAM	STRING	CONTROL CABLE	BUSS CABLE	CAM FAMILY
Hyper ZT #2	85%*	7	35 1/2	26 1/2	A	2	57.50	38.75	37.13	Hyper ZT
	85%*	7	35 1/2	27	B	2	57.50	38.75	37.13	Hyper ZT
	85%*	7	35 1/2	27 1/2	C	2	57.50	38.75	37.13	Hyper ZT
	85%*	7	35 1/2	28	D	2	57.50	38.75	37.13	Hyper ZT
	85%*	7	35 1/2	28 1/2	E	2	57.50	38.75	37.13	Hyper ZT
	85%*	7	35 1/2	29	F	2	57.50	38.75	37.13	Hyper ZT
	85%*	7	35 1/2	29 1/2	G	2	57.50	38.75	37.13	Hyper ZT
	85%*	7	35 1/2	30	H	2	57.50	38.75	37.13	Hyper ZT

Double XL - 12" Quad Flex - Hyper ZT Cam

CAM	LETOFF	BRACE HEIGHT	AXLE TO AXLE	DRAW LENGTH	MODULE POSITION	BASE CAM	STRING	CONTROL CABLE	BUSS CABLE	CAM FAMILY
Hyper ZT #3	85%*	7	35 1/2	29	A	3	60.25	38.75	37.13	Hyper ZT
	85%*	7	35 1/2	29 1/2	B	3	60.25	38.75	37.13	Hyper ZT
	85%*	7	35 1/2	30	C	3	60.25	38.75	37.13	Hyper ZT
	85%*	7	35 1/2	30 1/2	D	3	60.25	38.75	37.13	Hyper ZT
	85%*	7	35 1/2	31	E	3	60.25	38.75	37.13	Hyper ZT
	85%*	7	35 1/2	31 1/2	F	3	60.25	38.75	37.13	Hyper ZT
	85%*	7	35 1/2	32	G	3	60.25	38.75	37.13	Hyper ZT

Double XL - 12" Quad Flex - Hyper ZT Cam

CAM	LETOFF	BRACE HEIGHT	AXLE TO AXLE	DRAW LENGTH	MODULE POSITION	BASE CAM	STRING	CONTROL CABLE	BUSS CABLE	CAM FAMILY
Hyper ZT #4	85%*	7	35 1/2	31	A	4	62.00	38.75	37.13	Hyper ZT
	85%*	7	35 1/2	31 1/2	B	4	62.00	38.75	37.13	Hyper ZT
	85%*	7	35 1/2	32	C	4	62.00	38.75	37.13	Hyper ZT
	85%*	7	35 1/2	32 1/2	D	4	62.00	38.75	37.13	Hyper ZT
	85%*	7	35 1/2	33	E	4	62.00	38.75	37.13	Hyper ZT

* Also available in 80% & 75%

Model: Double XL

Limb: 12" Quad Flex

Stealth shot bar: 5.38

Roller Mount #14

Pocket: W12T & W12B

Model Year: 2018

Limb shox: #3.1 Top
#4 Bottom

Limb Bolt Length: 1.75

String model: Z8

Rocker: #16 & #17

Date: 10/1/2017

After Market String Warning

Warning: Never use aftermarket strings or cables on your bow. Aftermarket strings and cables may not be suitable for replacement on your Hoyt bow. Hoyt cannot guarantee that the materials or the manufacturing methods used by aftermarket string and cable manufacturers will be suitable for use on your Hoyt bow. Failure to heed this warning could result in serious injury or death to yourself or bystanders. Only Genuine Hoyt or Fuse branded strings and cables should be used on your Hoyt bow.

Warning: Never move, remove, or add additional string weights to your Hoyt bow's string or cables. String weights are specifically engineered for weight and location to ensure correct operation of your bow. Alterations to string and cable speed weights could cause your bow to break or malfunction and cause serious injury or death.

Buss Cable Main body construction directions

The Main body buss cable should be layed up as a 12 strand string

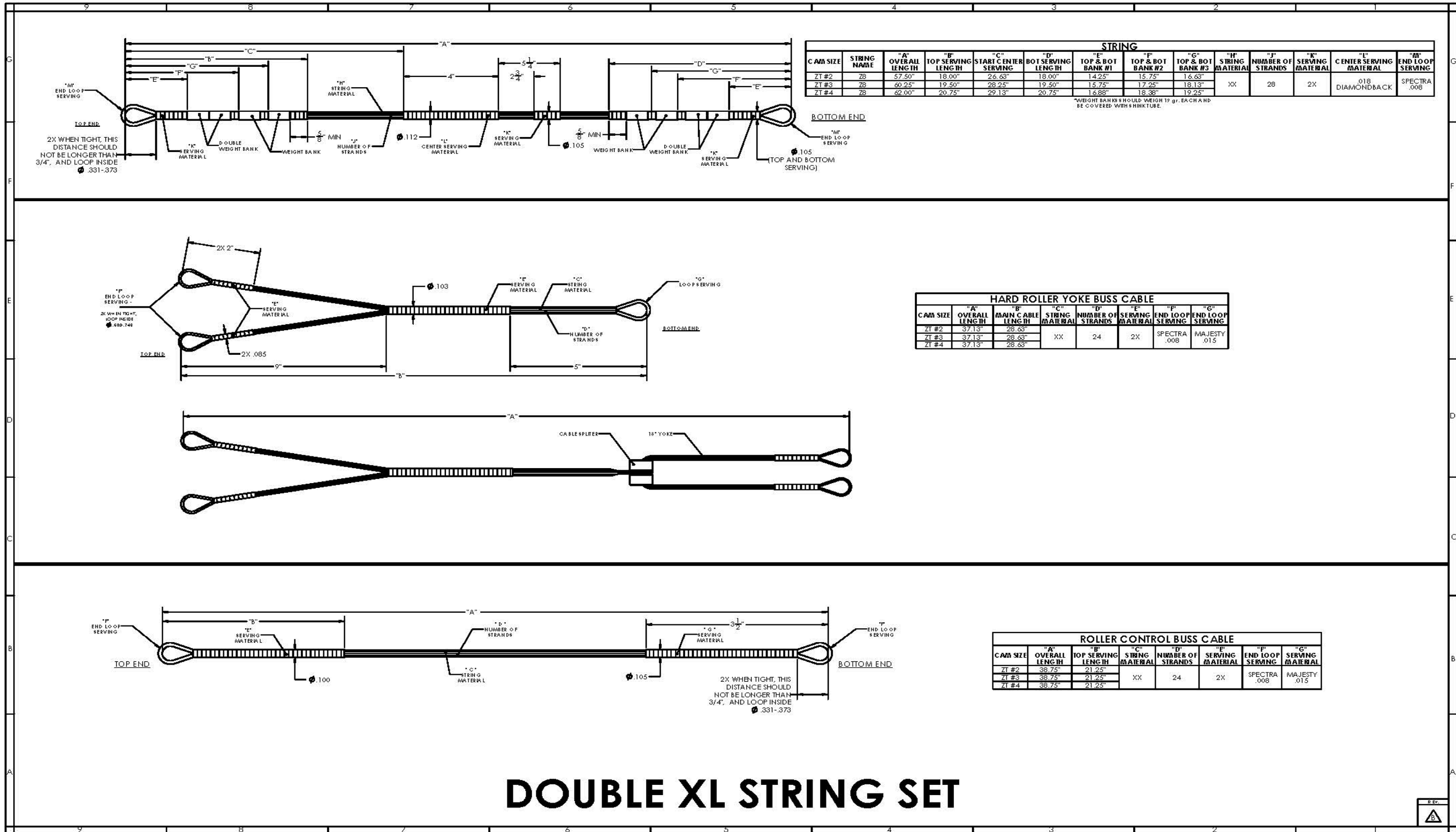
Serve yoke anchor pulley loops under tension on both ends of layed up material

Pull tension on the cable and input twists to desired twist rate

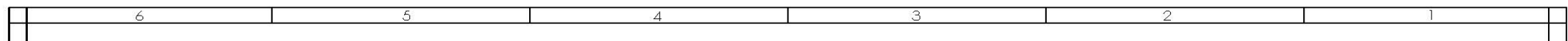
Serve center of long span under tension to create bottom loop serving

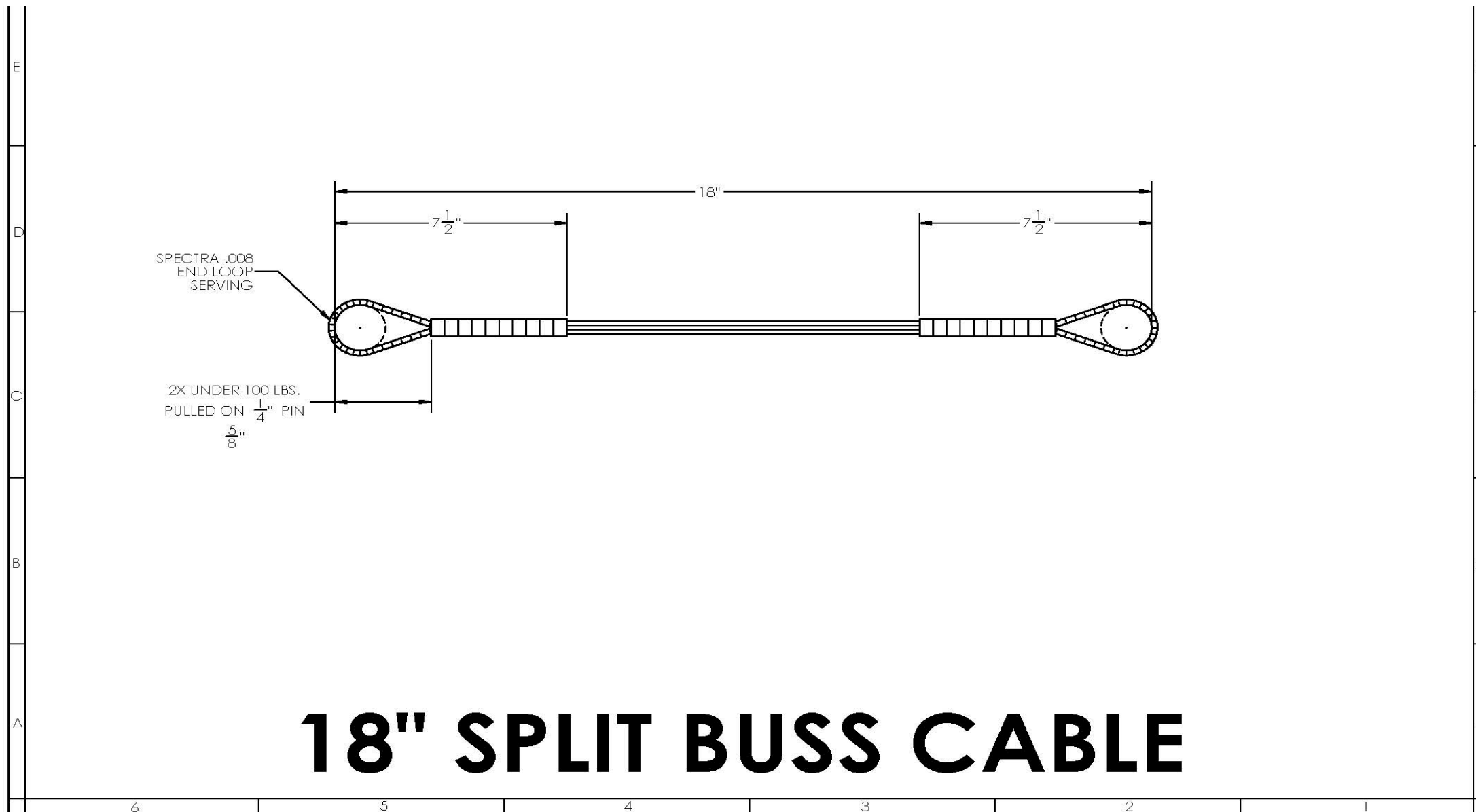
Relieve tension and fold cable in half so both anchor pulley loops are on one hook and the folded point of the string is on other hook

Serve body of cable under tension to complete (DO NOT ADD TWISTS DURING THIS STEP)



DOUBLE XL STRING SET





18" SPLIT BUSS CABLE