

Helix - 11" Hybrid - ZT Pro Cam

CAM	LETOFF	BRACE HEIGHT	AXLE TO AXLE	DRAW LENGTH	MODULE POSITION	BASE CAM	STRING	CONTROL CABLE	BUSS CABLE	CAM FAMILY
ZT Pro #2	85%*	6	30 1/2	25	A	2	53.88	33.60	32.00	ZT Pro
	85%*	6	30 1/2	25 1/2	B	2	53.88	33.60	32.00	ZT Pro
	85%*	6	30 1/2	26	C	2	53.88	33.60	32.00	ZT Pro
	85%*	6	30 1/2	26 1/2	D	2	53.88	33.60	32.00	ZT Pro
	85%*	6	30 1/2	27	E	2	53.88	33.60	32.00	ZT Pro
	85%*	6	30 1/2	27 1/2	F	2	53.88	33.60	32.00	ZT Pro
	85%*	6	30 1/2	28	G	2	53.88	33.60	32.00	ZT Pro

Helix - 11" Hybrid - ZT Pro Cam

CAM	LETOFF	BRACE HEIGHT	AXLE TO AXLE	DRAW LENGTH	MODULE POSITION	BASE CAM	STRING	CONTROL CABLE	BUSS CABLE	CAM FAMILY
ZT Pro #3	85%*	6	30 1/2	27	A	3	56.88	33.63	32.00	ZT Pro
	85%*	6	30 1/2	27 1/2	B	3	56.88	33.63	32.00	ZT Pro
	85%*	6	30 1/2	28	C	3	56.88	33.63	32.00	ZT Pro
	85%*	6	30 1/2	28 1/2	D	3	56.88	33.63	32.00	ZT Pro
	85%*	6	30 1/2	29	E	3	56.88	33.63	32.00	ZT Pro
	85%*	6	30 1/2	29 1/2	F	3	56.88	33.63	32.00	ZT Pro
	85%*	6	30 1/2	30	G	3	56.88	33.63	32.00	ZT Pro

*Also available in 80% & 75%

Model: Helix	Limb: Hybrid 11" Limb	Stealth shot bar: 4.25	Roller Mount #13	Pocket: W13T & W13B
Model Year: 2019	Limb shox: #3.1 Top	Limb Bolt Length: 1.75	String model: Z6	Rocker: #18 & #19
Date: 12/6/2018	#4.1 Bottom			

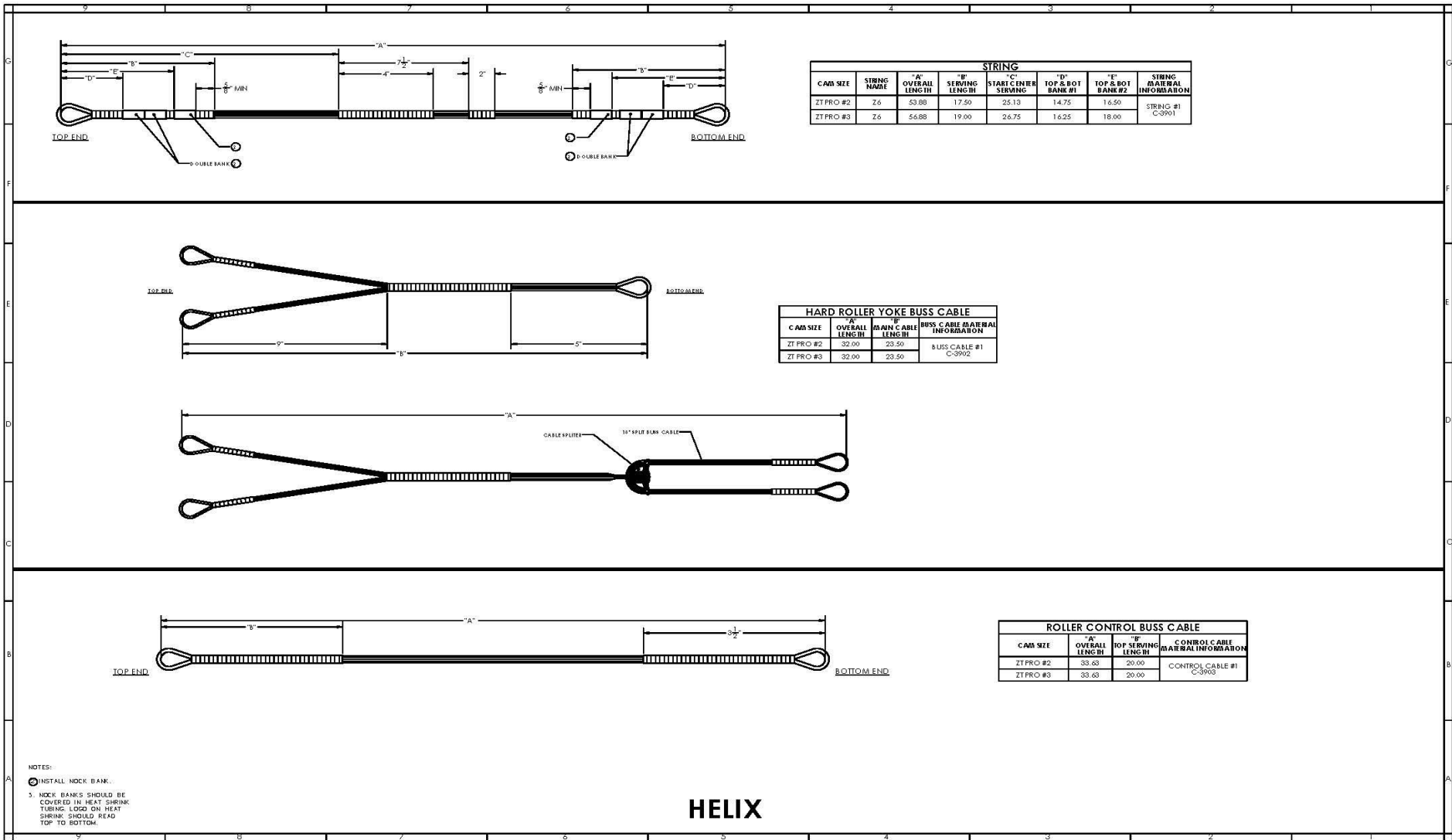
After Market String Warning

Warning: Never use aftermarket strings or cables on your bow. Aftermarket strings and cables may not be suitable for replacement on your Hoyt bow. Hoyt cannot guarantee that the materials or the manufacturing methods used by aftermarket string and cable manufacturers will be suitable for use on your Hoyt bow. Failure to heed this warning could result in serious injury or death to yourself or bystanders. Only Genuine Hoyt or Fuse branded strings and cables should be used on your Hoyt bow.

Warning: Never move, remove, or add additional string weights to your Hoyt bow's string or cables. String weights are specifically engineered for weight and location to ensure correct operation of your bow. Alterations to string and cable speed weights could cause your bow to break or malfunction and cause serious injury or death.

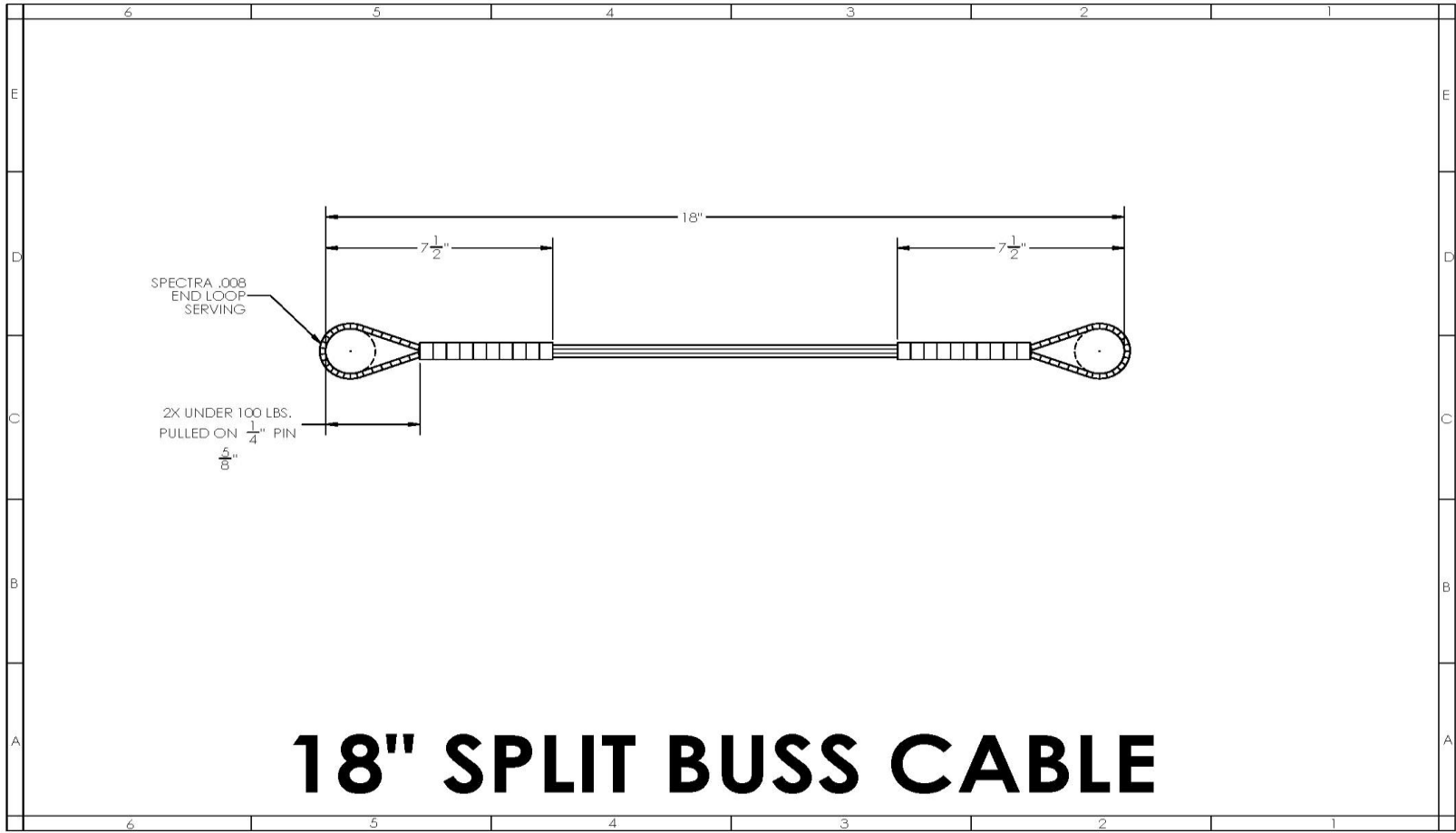
Buss Cable Main body construction directions

- The Main body buss cable should be layed up as a 14 strand string
- Serve yoke anchor pulley loops under tension on both ends of layed up material
- Pull tension on the cable and input twists to desired twist rate
- Serve center of long span under tension to create bottom loop serving
- Relieve tension and fold cable in half so both anchor pulley loops are on one hook and the folded point of the string is on other hook
- Serve body of cable under tension to complete (DO NOT ADD TWISTS DURING THIS STEP)



NOTES:
 1. INSTALL NOCK BANK.
 2. NOCK BANKS SHOULD BE COVERED IN HEAT SHRINK TUBING. LOGO ON HEAT SHRINK SHOULD READ TOP TO BOTTOM.

HELIX



18" SPLIT BUSS CABLE